



DESIGNED TO PERFORM BUILT TO LAST



**HIGH QUALITY MUCK
SPREADERS & TRAILERS**
Product Range & Pricing 2021





At Ktwo we manufacture the highest quality farm machinery that is designed to perform and is built to last.

We are a family run business established in the 1980's, using the finest engineering standards with the latest manufacturing processes, we ensure that all products perform efficiently and last for many years.



Not only are we known for our innovation and quality, our after-sales service is unrivalled with our own field service engineers available to support you.

We are the only UK manufacturer to offer a full range of both muck spreaders and trailers, and all our machines carry a 3 year warranty.

CONTENTS

MUCK SPREADERS

Eco	3
Duo	5
Evo	7
Bio	9
Optional Extras	11
Tyres & Colours	12

TRAILERS

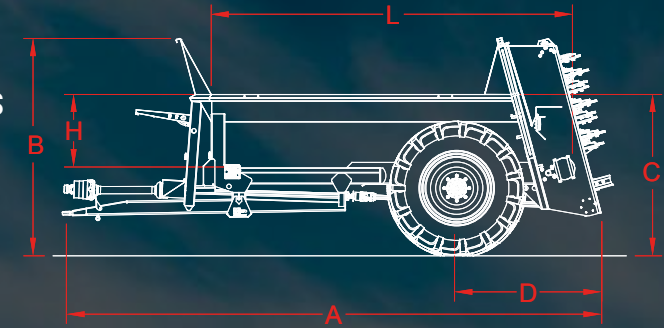
Curve	13
Root	15
Compact & Push	17
Dumper	19
Contractor	21
Low Loader	23
Flatbed	25
Optional Extras	27
Tyres & Colours	28

ECO

Vertical Beater Muck Spreader



KEY FEATURES



- Fine and accurate spread.
- Open flighted and dynamically balanced rotors rotate at 417rpm to provide a precise spread.
- 6-tooth spiral flight construction provides an even spread coverage.
- Fitted with a single-piece Rögelberg rotor drive gearbox with greaseable long-life driveline bearings, providing smooth transfer of power and unmatched reliability.
- Socketed floor slats and two 14mm marine grade chains offer a minimum breaking strength of 48 tonnes.
- Floor chains driven by a high tensile 50mm six tooth sprocketed shaft with a variable speed control.
- Full LED light units with automatic light covers (when fitted with optional slurry door) provide excellent rearward visibility for added peace of mind.
- Reversible hardened boron steel rotor teeth increase the service life and durability of the spreader.

SPECIFICATIONS

	MODEL		
	50.8	60.9	75.11
Price	£18,350	£18,900	£19,900
Design capacity (kg)	5,000	6,000	7,500
Volume - Level filled (m³)	4.2	4.9	6.3
Volume - Level 225mm ext. (m³)	5.6	6.5	8.2
Volume - Max. heaped (m³)	7.8	9.0	10.8
Axle beam (mm)	1 x 80 x 80	1 x 80 x 80	1 x 80 x 80
No. of axle studs / brake size (mm)	8 / 355 x 80	8 / 355 x 80	8 / 355 x 80
Standard wheels	16.9 x 30 14PR	16.9 x 30 14PR	18.4 x 34 14PR
No. of floor chains / chain size (mm)	2 / 14	2 / 14	2 / 14
Rear floor drive roller diameter (mm)	50	50	50
PTO input speed (rpm)	540	540	540
Power requirement (hp)	75	85	95
Unladen weight (kg)	2,630	3,130	3,680

DIMENSIONS

		mm		ft		mm		ft	
Overall length	A	5,380	17' 7"	5,880	19' 3"	6,330	20' 9"		
Overall height	B	2,350	7' 8"	2,350	7' 8"	2,530	8' 3"		
Loading height	C	1,750	5' 9"	1,750	5' 9"	1,930	6' 4"		
Rear overhang	D	1,490	4' 11"	1,605	5' 3"	1,745	5' 9"		
Internal length	L	3,380	11' 1"	3,880	12' 9"	4,330	14' 3"		
Internal height	H	800	2' 8"	800	2' 8"	900	2' 11"		
Overall width		2,560	8' 5"	2,560	8' 5"	2,600	8' 6"		
Loading width		1,850	6' 1"	1,850	6' 1"	1,950	6' 5"		
Internal width		1,500	4' 11"	1,500	4' 11"	1,500	4' 11"		

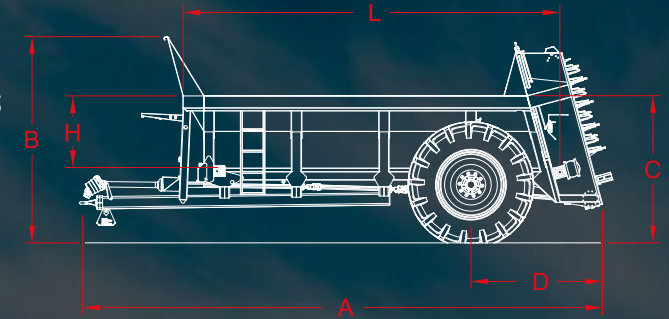
All capacities are approximate and based on in field use at 10km/h. It is the responsibility of the user to check the road legislation in their area.

DUO

Vertical Beater Muck Spreader



KEY FEATURES



- Versatile and accurate spread.
- Tapered body design for increased capacities up to 14 tonnes.
- Two pairs of 14mm marine grade floor chains with closely spaced slats and individual tensioning for positive discharge and consistent spreading.
- Drawbar is constructed from a single length of 180mm box section that is 12mm thick for superior strength and improved manoeuvrability.
- Flared “easy out” body construction aids loading, carrying capacity and flow whilst maintaining a good transport width.
- Twin LED light units with automatic light covers (when fitted with optional slurry door) provide excellent rearward visibility for added peace of mind.
- Open flighted, dynamically balanced rotors rotate at a fast 386rpm to provide a wider, finer spread pattern.
- Hardened boron steel rotor teeth for increased durability and longevity.
- 6-tooth spiral flight construction provides an even spread pattern for all materials.
- A 120mm square-section commercial axle fitted with 420 × 180 S-Cam brakes and 35mm cylinders gives improved ground clearance and breaking performance.
- Large wheels provide excellent ground flotation and traction in adverse weather conditions.
- Wide 1700mm beater set and large 1050mm diameter spinning paddles for the accurate broadcast of fine materials (MK6).

SPECIFICATIONS

	MODEL					
	MK5 600	MK5 900	MK5 1000	MK6 1100	MK6 1200	MK6 1400
Price	£21,650	£26,200	£27,800	£29,300	£30,800	£32,850
Design capacity (kg)	6,000	9,000	10,000	11,000	12,000	14,000
Volume - Level filled (m ³)	5.6	8.5	9.5	11.1	12.5	13.7
Volume - Level 225mm ext. (m ³)	7.2	10.6	11.9	13.3	15.0	16.4
Volume - Max. heaped (m ³)	9.8	15.1	17.0	18.7	21.2	23.2
Axle beam (mm)	1 x 120 x 120	1 x 120 x 120	1 x 120 x 120	1 x 120 x 120	1 x 120 x 120	1 x 120 x 120
No. of axle studs / brake size (mm)	10 / 420 x 180	10 / 420 x 180	10 / 420 x 180	10 / 420 x 180	10 / 420 x 180	10 / 420 x 180
Standard wheels	420 / 85 R30	460 / 85 R38	520 / 85 R38	520 / 85 R38	580 / 70 R38	580 / 70 R38
No. of floor chains / chain size (mm)	4 / 14	4 / 14	4 / 14	4 / 14	4 / 14	4 / 14
Rear floor drive roller diameter (mm)	50	55	55	60	60	60
PTO input speed (rpm)	540	540	540	1000	1000	1000
Power requirement (hp)	85	105	115	120	140	160
Unladen weight (kg)	4,130	4,560	5,010	5,170	5,620	6,150

DIMENSIONS

		mm		ft		mm		ft		mm		ft		mm		ft	
Overall length	A	5,950	19'6"	6,980	22'11"	7,580	24'10"	7,050	23' 2"	7,650	25' 1"	8,150	26' 9"				
Overall height	B	2,425	7'11"	2,980	9'9"	3,015	9'11"	3,350	11' 0"	3,340	10'11"	3,340	10'11"				
Loading height	C	1,850	6'1"	2,115	6'11"	2,150	7'1"	2,480	8' 2"	2,470	8' 1"	2,470	8' 1"				
Rear overhang	D	1,540	5'	1,820	6'	1,920	6'4"	1,880	6' 2"	1,970	6' 6"	2,180	7' 2"				
Internal length	L	3,950	13"	4,900	16'1"	5,500	18'1"	4,995	16' 5"	5,595	18' 4"	6,095	20' 0"				
Internal height	H	875	2'10"	1,050	3'5"	1,050	3'5"	1,350	4' 5"	1,350	4' 5"	1,350	4' 5"				
Overall width		2,620	8'7"	2,660	8'9"	2,820	9'3"	2,820	9' 3"	2,880	9' 5"	2,880	9' 5"				
Loading width		2,000	6'7"	2,100	6'11"	2,100	6'11"	2,300	7' 7"	2,300	7' 7"	2,300	7' 5"				
Internal width		1,500	4'11"	1,500	4'11"	1,500	4'11"	1,500	4' 11"	1,500	4' 11"	1,500	4' 11"				

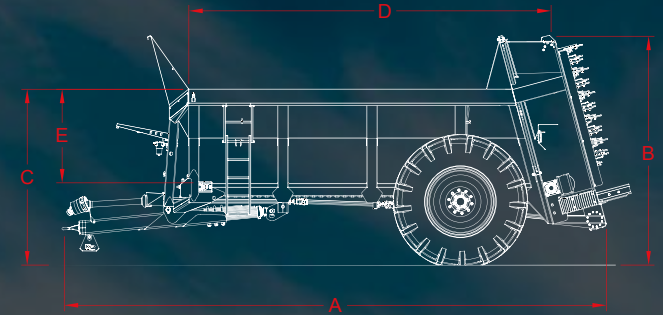
All capacities are approximate and based on in field use at 10km/h. It is the responsibility of the user to check the road legislation in their area.

EVO

Vertical Beater Muck Spreader



KEY FEATURES



- Designed for the most demanding conditions.
- Hardox base on the rotors with hardened boron beater teeth and spinner paddles for increased durability and longevity.
- Two pairs of 16mm marine grade floor chains, a 75mm rear roller and 1800mm beaters with 10mm rotor flights ensure a wide spread, versatility in all manures and a range of by-products.
- Flared “easy out” body construction aids loading, carrying capacity and flow whilst maintaining a good transport width.
- Open flighted dynamically balanced 965mm diameter rotors with 1250mm diameter lower spreading spinner paddles.
- Market leading running gear with 150mm square beam axle feature 420 × 180mm S-Cam brakes with 35mm diameter hydraulic brake cylinders.
- 1600mm body width with maximum flare and a lowered front bin lip for operator’s visibility of the load.
- Twin LED light units with automatic light covers provide excellent rearward visibility for added peace of mind.
- Fitted as standard with slurry door, wide angle front PTO shaft, torque limiting clutch driveline protection and in-cab electric floor speed control.

SPECIFICATIONS

	MODEL					
	1400	1600	1800	2400 TANDEM*	2600 TANDEM*	2620 TANDEM**
Price	£41,750	£44,400	£48,400	£47,350	£50,000	£65,000
Design capacity (kg)	14,000	16,000	18,000	16,000	18,000	26,000
Volume - Level filled (m ³)	13.3	14.6	15.8	13.1	14.6	21.1
Volume - Level 225mm ext. (m ³)	16.5	18.1	19.6	16.5	18.1	-
Volume - Max. heaped (m ³)	21.5	23.5	25.4	21.5	23.5	29.7
Axle beam (mm)	1 x 150 x 150	1 x 150 x 150	1 x 150 x 150	2 x 150 x 150	2 x 150 x 150	2 x 150 x 150
No. of axle studs / brake size (mm)	10 / 420 x 180	10 / 420 x 180	10 / 420 x 180	10 / 420 x 180	10 / 420 x 180	10 / 420 x 180
Standard wheels	580 / 70 R38	580 / 70 R38	580 / 70 R38	560 / 60 R22.5	560 / 60 R22.5	710 / 50 R26.5
No. of floor chains / chain size (mm)	4 / 16	4 / 16	4 / 16	4 / 16	4 / 16	4 / 16
Rear floor drive roller diameter (mm)	75	75	75	75	75	75
PTO input speed (rpm)	1,000	1,000	1,000	1,000	1,000	1,000
Power requirement (hp)	135	150	165	150	180	200
Unladen weight (kg)	6,950	7,250	7,550	7,750	8,050	9,300

*Includes sprung drawbar as standard. Weigh cells not available.

**Includes sprung drawbar, steering axle and 400mm extension sides as standard.

DIMENSIONS

		mm		ft		mm		ft		mm		ft	
		mm	ft	mm	ft	mm	ft	mm	ft	mm	ft	mm	ft
Overall length	A	7,770	25' 6"	8,270	27' 1"	8,770	28' 9"	7,770	25' 6"	8,270	27' 1"	8,775	28' 9"
Overall height	B	3,295	10' 9"	3,295	10' 9"	3,345	10' 11"	3,295	10' 9"	3,295	10' 9"	3,800	12' 5"
Loading height	C	2,460	8' 1"	2,460	8' 1"	2,530	8' 3"	2,460	8' 1"	2,460	8' 1"	3,075	11' 8"
Internal length	D	5,550	18' 3"	6,050	19' 10"	6,550	21' 5"	5,550	18' 3"	6,050	19' 10"	6,550	21' 5"
Internal height	E	1,350	4' 5"	1,350	4' 5"	1,350	4' 5"	1,350	4' 5"	1,350	4' 5"	1,350	4' 5"
Overall width		2,920	9' 7"	2,920	9' 7"	3,000	9' 10"	2,920	9' 7"	2,920	9' 7"	3,010	9' 10"
Loading width		2,300	7' 6"	2,300	7' 6"	2,300	7' 6"	2,300	7' 6"	2,300	7' 6"	2,700	8' 10"
Internal width		1,600	5' 3"	1,600	5' 3"	1,600	5' 3"	1,600	5' 3"	1,600	5' 3"	2,000	6' 6"

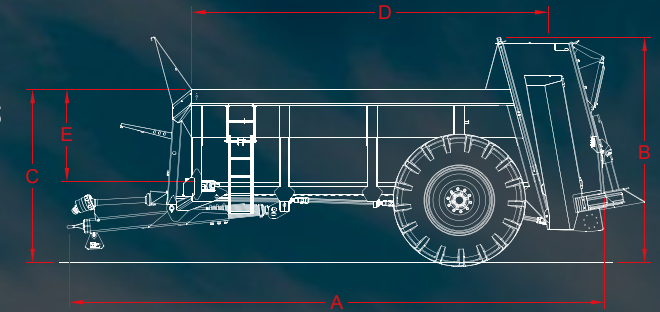
All capacities are approximate and based on in field use at 10km/h. It is the responsibility of the user to check the road legislation in their area.

BIO

Bio Horizontal Beater Muck Spreader



KEY FEATURES



- Consistent and accurate spread.
- Hardened boron beater teeth and boron spinner paddles for increased durability and longevity.
- Flared “easy out” body construction aids loading, carrying capacity and flow whilst maintaining a good transport width.
- Two pairs of 16mm floor chains, a 75mm rear roller and 1800mm horizontal beaters to alleviate funnelling of the product into the spreading mechanism and subsequent bridging of the load.
- Wide spread up to 32m, versatility in all manures and a wide range of by-products.
- Shaft and gearbox driven beaters for longevity and reliability, separate clutch protection on both spinners and beaters.
- Twin open flighted, dynamically balanced, horizontal rotors enclosed behind a hydraulic opening, sprung loaded and rubber lined canopy.
- Two large 1100mm diameter adjustable spreading discs.
- Market leading running gear with 150mm square beam axle, featuring 420 x 180mm S-Cam brakes with 35mm diameter hydraulic brake cylinders.
- 1600mm body width with maximum flare and a lowered front bin lip for operator’s visibility of the load.
- Twin LED light units with automatic light covers provide excellent rearward visibility for added peace of mind.
- Fitted with slurry door, wide angle front PTO shaft and in-cab electric floor speed control.

SPECIFICATIONS

	MODEL					
	1400	1600	1800	2400 TANDEM*	2600 TANDEM*	2620 TANDEM**
Price	£48,000	£51,000	£55,000	£53,250	£56,250	£78,000
Design capacity (kg)	14,000	16,000	18,000	16,000	18,000	26,000
Volume - Level filled (m³)	13.1	14.6	15.8	13.1	14.6	21.1
Volume - Level 225mm ext. (m³)	16.5	18.1	19.6	16.5	18.1	-
Volume - Max. heaped (m³)	21.5	23.5	25.4	21.5	23.5	29.7
Axle beam (mm)	1 x 150 x 150	1 x 150 x 150	1 x 150 x 150	2 x 150 x 150	2 x 150 x 150	2 x 150 x 150
No. of axle studs / brake size (mm)	10 / 420 x 180	10 / 420 x 180	10 / 420 x 180	10 / 420 x 180	10 / 420 x 180	10 / 420 x 180
Standard wheels	580 / 70 R38	580 / 70 R38	580 / 70 R38	560 / 60 R22.5	560 / 60 R22.5	710 / 50 R26.5
No. of floor chains / chain size (mm)	4 / 16	4 / 16	4 / 16	4 / 16	4 / 16	4 / 16
Rear floor drive roller diameter (mm)	75	75	75	75	75	75
PTO input speed (rpm)	1,000	1,000	1,000	1,000	1,000	1,000
Power requirement (hp)	140	160	180	150	180	200
Unladen weight (kg)	6,950	7,250	7,550	8,250	8,550	9,800

*Includes sprung drawbar as standard. Weigh cells not available.

**Includes sprung drawbar, steering axle and 400mm extension sides as standard.

DIMENSIONS

		mm		ft		mm		ft		mm		ft	
		mm	ft	mm	ft	mm	ft	mm	ft	mm	ft		
Overall length	A	7,770	25' 6"	8,270	27' 1"	8,770	28' 9"	7,770	25' 6"	8,270	27' 1"	8,775	28' 9"
Overall height	B	3,295	10' 9"	3,295	10' 9"	3,345	10' 11"	3,295	10' 9"	3,295	10' 9"	3,800	12' 5"
Loading height	C	2,460	8' 1"	2,460	8' 1"	2,530	8' 3"	2,460	8' 1"	2,460	8' 1"	3,075	11' 8"
Internal length	D	5,550	18' 3"	6,050	19' 10"	6,550	21' 5"	5,550	18' 3"	6,050	19' 10"	6,550	21' 5"
Internal height	E	1,350	4' 5"	1,350	4' 5"	1,350	4' 5"	1,350	4' 5"	1,350	4' 5"	1,350	4' 5"
Overall width		2,920	9' 7"	2,920	9' 7"	3,000	9' 10"	2,920	9' 7"	2,920	9' 7"	3,010	9' 10"
Loading width		2,300	7' 6"	2,300	7' 6"	2,300	7' 6"	2,300	7' 6"	2,300	7' 6"	2,700	8' 10"
Internal width		1,600	5' 3"	1,600	5' 3"	1,600	5' 3"	1,600	5' 3"	1,600	5' 3"	2,000	6' 6"

All capacities are approximate and based on in field use at 10km/h. It is the responsibility of the user to check the road legislation in their area.

OPTIONAL EXTRAS

	Price	MODEL			
		ECO	DUO	EVO	BIO
Slurry door	£2,450	✓	✓	Std.	Std.
Automatic slip clutch	£900		✓	Std.	Std.
1,000 rpm rotor gearbox	£450		✓	Std.	Std.
Electric in-cab bed speed control	£1,350	✓	✓	Std.	Std.
Slurry door sight gauge	£900		✓	✓	✓
Sprung drawbar	£1,600		✓	✓	✓
Fixed removable drawbar	£600		✓	✓	✓
K80 ball	£550		✓	✓	✓
Steel 250 mm	£1,900		✓	✓	✓
Steel 400 mm	£2,200		✓	✓	✓
Steel 650 mm	£3,700			✓	✓
Wooden 9"	£550	✓	✓	✓	✓
Rear cone for hoods	£70		✓	✓	
RDS app rate controller ISOCAN c/w weigh cells* - Single axle / ISOBUS lead	£9,400 / £360		✓	✓	✓
RDS app rate controller ISOCAN c/w weigh cells* - Twin axle / ISOBUS lead	£12,200 / £360			✓	✓

	Price	MODEL			
		ECO	DUO	EVO	BIO
Weigh cell ready - Single axle	£1,900		✓	✓	✓
Weigh cell ready - Twin Axle	£3,800			✓	✓
Rear rotor canopy	£1,650		✓	✓	
Compost windrow doors	£1,050		✓	✓	
Mudguards	£1,100		✓	✓	✓
Toolbox	£250		✓	✓	✓
Rear flashing LED beacon	£150	✓	✓	Std.	Std.
Air / hydraulic brakes	£1,500		✓	✓	✓
Steering axle, per axle, 120mm	£3,600			✓	✓
Steering axle, per axle, 150mm	£4,900			✓	✓
Wind up jack	£320	✓	✓	✓	✓
Headland border control	£1,200				✓
Rear hitch c/w 7 pin socket and brake connection	£600	✓	✓		✓
Work lights	£280		✓	✓	✓

*Requires sprung drawbar
Std. = Comes as standard
✓ = Compatible

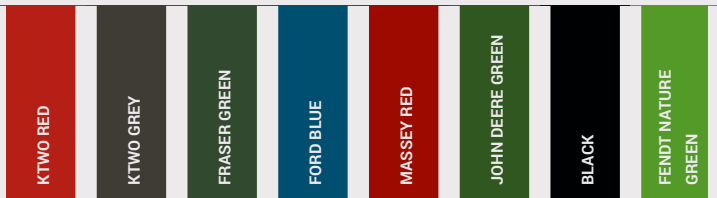
OPTIONAL EXTRAS Muck Spreaders

TYRE Prices per pair (£)

	LOAD RATING	MODEL											
		ECO			DUO				EVO / BIO				
		50.8	60.9	76.11	600	900	1000	1100	1200	1400	1400	1600	1800
18.4 x 34			£720										
420/85 R30				£1,050									
460/85 R38					£1,000								
520/70 R34					£870	£850							
520/85 R38						£1,550							
580/70 R38	A155					£1,700	£850	£850					
580/70 R38	A180					£2,550	£1,680	£1,680	£800				
650/65 R38 - Mitas AC65	166D/169A8					£2,500	£1,660	£1,660	£1,000				
650/65 R38 - Alliance 360	178A8/175B					£3,100	£2,400	£2,400	£1,800	£1,400	£1,400	£1,400	£1,400
650/65 R42 - Mitas HC2000VF	170D								£2,000	£1,600	£1,600	£1,600	£1,600
VF 650/65 R42 - Alliance 365	174D								£4,000	£3,600	£3,600	£3,600	£3,600
710/70 R38 - Mitas AC65	166D					£4,800	£4,000	£4,000	£2,400				
710/70 R38 - BKT RT765	166A8					£4,550	£3,700	£3,700	£2,100				
710/70 R38 - Alliance Agristar II	178D					£4,450	£3,550	£3,550	£2,400	£2,000	£2,000	£2,000	£2,000
710/70 R38 - BKT RT600	181A8/178D								£3,000	£2,600	£2,600	£2,600	£2,600
710/70 R42 - Alliance Agristar II	173D								£4,400	£4,000	£4,000	£4,000	£4,000
710/70 R42 - Mitas HC2000	179D								£5,700	£5,340	£5,340	£5,340	£5,340
VF 710/70 R42 - Alliance Agriflex+ 372	185D								£7,000	£6,600	£6,600	£6,600	£6,600

Ktwo hold the right to change the tyre manufacturer to a like for like spec or higher.

COLOUR OPTIONS*



Above Tractor colours FOC. Bespoke colours £400.

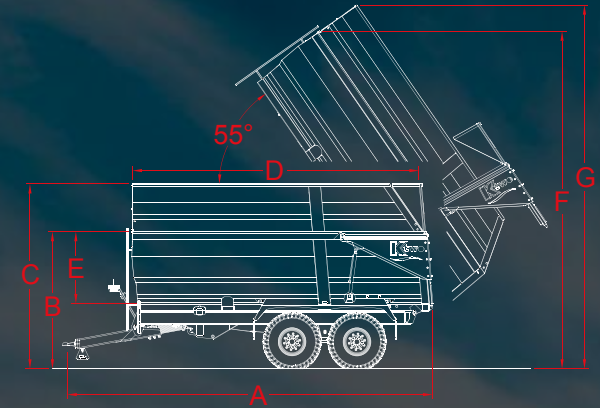
*Colour swatch is for illustrative purposes only and actual colour may differ slightly.

CURVE

Roadeo Curve Trailer



KEY FEATURES



- High quality and heavy-duty trailer.
- Mono tipping cylinders give a fast and efficient tip with rapid return/drop.
- High tensile steel used in body panels for increased strength and lower nett weight.
- LED lighting equipment for maximum visibility including tailgate repeater lights and LED flashing beacon.
- Fully commercial running gear c/w 10 stud axles with 420 x 180mm brakes for maximum braking efficiency.
- 32T parabolic spring set for stability, ride performance and minimal maintenance whilst providing the best of on and off-road handling characteristics.
- A sprung drawbar and tandem sprung axles come as standard to ensure a stable and comfortable ride.
- Bolt on GKN hitch giving options of fixed, swivel and K80 spoon.
- Front arched viewing window on all models.
- Hydraulic tailgate fitted with a hydraulic safety valve with mechanical 6 point locking.
- Shot blasted paint preparation, finished with two pack paint.
- Mudguards, mud flaps, light guards and access ladder all as standard.

ROADEO CURVE Trailer

SPECIFICATIONS

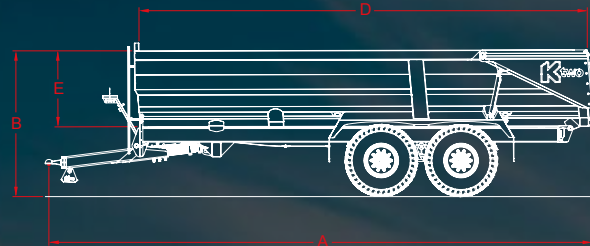
	MODEL							
	1200	1400 COMPACT	1400	1600	1800	2000	2000 TRI AXLE	2400 TRI AXLE
Price	£17,700	£19,600	£19,600	£21,300	£22,800	£24,300	£27,800	£31,000
Design capacity (kg)	12,000	14,000	14,000	16,000	18,000	20,000	20,000	24,000
Volume – Grain (m³)	16.8	19.0	19.0	21.4	24.2	26.6	26.6	31.0
Volume – Silage (m³)	29.5	31.7	33.3	35.7	40.3	44.3	44.3	52.4
Axle track width (mm)	2,000	2,000	2,000	2,000	2,000	2,000	2,000	2,000
Axle beam (mm)	2 x 120 x 120	2 x 120 x 120	2 x 120 x 120	2 x 120 x 120	2 x 120 x 120	2 x 120 x 120	3 x 120 x 120	3 x 120 x 120
Brake size (mm)	420 x 180	420 x 180	420 x 180	420 x 180	420 x 180	420 x 180	420 x 180	420 x 180
Axle springs – no. of leaves / leaf size (mm)	3 / 100 x Parabolic 32t	3 / 100 x Parabolic 32t	3 / 100 x Parabolic 32t	3 / 100 x Parabolic 32t	3 / 100 x Parabolic 32t	3 / 100 x Parabolic 32t	3 / 100 x Parabolic 42t	3 / 100 x Parabolic 42t
Tipping cylinders x capacity (l)	145 x 5 / 26.3	145 x 5 / 26.3	145 x 5 / 26.3	165 x 5 / 34.8	165 x 6 / 36.6	187 x 6 / 51.2	187 x 6 / 51.2	187 x 6 / 51.2
Floor thickness (mm)	5	5	5	5	5	5	5	5
Side thickness (mm)	4	4	4	4	4	4	4	4
Sprung drawbar	Std.	Std.	Std.	Std.	Std.	Std.	Std.	Std.
Front arch window	Std.	Std.	Std.	Std.	Std.	Std.	Std.	Std.
Fixed hitch	Std.	Std.	Std.	Std.	Std.	Std.	Std.	Std.
Standard wheels	385 / 65 R22.5	385 / 65 R22.5	385 / 65 R22.5	385 / 65 R22.5	385 / 65 R22.5	385 / 65 R22.5	385 / 65 R22.5	385 / 65 R22.5
Unladen weight – grain (kg)	5,340	5,445	5,685	5,845	6,200	7,645	8,095	9,895
Unladen weight – silage (kg)	5,690	5,795	6,085	6,245	6,650	8,145	8,595	10,395

DIMENSIONS

		mm		ft		mm		ft		mm		ft		mm		ft	
		mm	ft	mm	ft	mm	ft	mm	ft	mm	ft	mm	ft	mm	ft		
Overall length	A	7,320	24'	7,340	24'	8,020	26'3"	8,020	26'3"	8,840	29'	9,520	31'2"	9,520	31'2"	10,820	35'5"
Overall height - grain	B	2,545	8'4"	2,715	8'11"	2,678	8'9"	2,868	9'5"	2,868	9'5"	2,868	9'5"	2,868	9'5"	2,868	9'5"
Overall height - silage	C	3,545	11'7"	3,715	12'2"	3,678	12'1"	3,868	12'8"	3,868	12'8"	3,868	12'8"	3,868	12'8"	3,868	12'8"
Internal body length	D	5,500	18'1"	5,500	18'1"	6,200	20'4"	6,200	20'4"	7,000	23'0"	7,700	25'3"	7,700	25'3"	9,000	29'5"
Internal height - grain	E	1,330	4'4"	1,500	4'11"	1,330	4'4"	1,500	4'11"	1,500	4'11"	1,500	4'11"	1,500	4'11"	1,500	4'11"
Tipped height - grain	F	6,335	20'9"	6,445	21'1"	6,990	22'11"	7,110	23'4"	7,750	25'5"	8,245	27'0"	8,245	27'0"	9,525	31'2"
Tipped height - silage		6,910	22'8"	7,020	23'0"	7,565	24'10"	7,685	25'2"	8,325	27'4"	8,820	28'11"	8,820	28'11"	10,085	33'1"
Average internal width		2,300	7'6"	2,300	7'6"	2,300	7'6"	2,300	7'6"	2,300	7'6"	2,300	7'6"	2,300	7'6"	2,300	7'6"
Maximum external width		2,640	8'8"	2,640	8'8"	2,640	8'8"	2,640	8'8"	2,640	8'8"	2,640	8'8"	2,640	8'8"	2,640	8'8"

ROOT

Rodeo Root Trailer



KEY FEATURES

- High quality and heavy-duty trailer designed to handle root crops as well as being a versatile trailer.
- Deep front arched viewing window on all models allowing full visibility of loading.
- Mono tipping cylinders give a fast and efficient tip with rapid return/drop.
- Body designed to ensure root crops avoid any unnecessary damage when loading.
- LED lighting equipment for maximum visibility including tailgate repeater lights and LED flashing beacon.
- Commercial running gear c/w 10 stud axles with 420 x 180 mm brakes for maximum braking efficiency.
- 32T parabolic spring set for stability, ride performance and minimal maintenance whilst providing the best of on and off-road handling characteristics.
- A sprung drawbar and tandem sprung axles come as standard to ensure a stable and comfortable ride.
- Bolt on GKN hitch giving options of fixed, swivel and K80 spoon.
- Hydraulic tailgate fitted with a hydraulic safety valve with mechanical 6 point locking.
- Shot blasted paint preparation, finished with two pack paint.
- Mudguards, mud flaps, light guards and access ladder all as standard.



SPECIFICATIONS

	1400	1600	1800
Price	£20,700	£22,300	£23,900
Design capacity (kg)	14,000	16,000	18,000
Volume – Grain (m³)	18.5	20.4	22.2
Volume – Silage (m³)	32.8	34.7	38.3
Axle track width (mm)	2,000	2,000	2,000
Axle beam (mm)	2 x 120 x 120	2 x 120 x 120	2 x 120 x 120
Brake size (mm)	420 x 180	420 x 180	420 x 180
Axle springs – no. of leaves / leaf size (mm)	3 / 100 x Parabolic 32t	3 / 100 x Parabolic 32t	3 / 100 x Parabolic 32t
Tipping cylinders x capacity (l)	165 x 6 / 36.6	165 x 6 / 36.6	165 x 6 / 36.6
Floor thickness (mm)	5	5	5
Side thickness (mm)	4	4	4
Sprung drawbar	Std.	Std.	Std.
Front arch window	Std.	Std.	Std.
Fixed hitch	Std.	Std.	Std.
Standard wheels	385 / 65 R22.5	385 / 65 R22.5	385 / 65 R22.5
Unladen weight – grain (kg)	6,495	6,850	7,205
Unladen weight – silage (kg)	6,985	7,350	7,715

DIMENSIONS

		mm	ft	mm	ft	mm	ft
Overall length	A	8,820	26'3"	9,520	31'2"	10,220	33'5"
Overall height - grain	B	2,450	8'	2,450	8'	2,450	8'
Overall height - silage	C	3,450	11'4"	3,450	11'4"	3,450	11'4"
Internal body length	D	7,000	23'	7,700	25'3"	8,400	27'6"
Internal height - grain	E	1,150	3'9"	1,150	3'9"	1,150	3'9"
Tipped height - grain	F	7,110	23'3"	7,750	25'5"	8,390	27'5"
Tipped height - silage		7,670	25'2"	8,310	27'3"	8,950	29'4"
Average internal width		2,300	7'6"	2,300	7'6"	2,300	7'6"
Maximum external width		2,640	8'8"	2,640	8'8"	2,640	8'8"

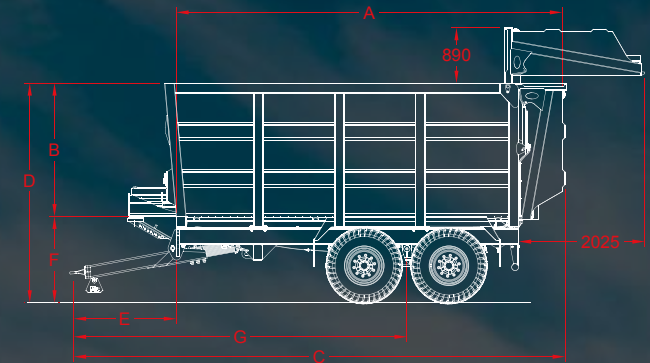
COMPACT & PUSH

Roadeo Compact & Push Trailer

No. 1 UK COMPACTOR TRAILER



KEY FEATURES



- UK leading compactor trailer.
- Commercial running gear c/w 10 stud axles with 420 x 180 mm brakes for maximum braking efficiency.
- 32T parabolic spring set for stability, ride performance and minimal maintenance whilst providing the best of on and off-road handling characteristics.
- A sprung drawbar and tandem sprung axles come as standard to ensure a stable and comfortable ride.
- Shot blasted paint preparation, finished with two pack paint.
- Bolt on GKN hitch giving options of fixed, swivel and K80 spoon.
- Rapid turnaround time with no need to wait for the trailer body to come down.
- Pusher mechanism for compacting and unloading without the need to tip the body.
- High degree of stability due to low centre of gravity during unloading of up to 74m³ of product on uneven terrain.
- Load compaction offers up to 40% additional capacity making it incredibly efficient.
- Hassel free unloading in low buildings due to push off system.
- Low oil requirement due to usage of all single stage double acting cylinders.
- Grain tight and able to handle all materials.

ROADEO COMPACT & PUSH Trailer

SPECIFICATIONS

	MODEL					
	1800 LOW	1800	2000 LOW	2000	2500 LOW	2500
Price	£33,100	£33,500	£35,800	£36,300	£49,000	£49,500
Design capacity (kg)	18,000	18,000	20,000	20,000	25,000	25,000
Volume – Cargo (m³)	24.1	31.0	27.3	35.0	33.4	42.2
Volume – Silage (m³)	29.3	36.3	33.1	41.0	40.7	49.5
Max. silage vol. with compression (m³)	44.0	54.5	49.7	61.5	60.3	74.3
Axle track width (mm)	2,000	2,000	2,000	2,000	2,000	2,000
Suspension arrangement	Tandem	Tandem	Tandem	Tandem	Tridem	Tridem
Axle beam (mm)	2 x 120 x 120	2 x 120 x 120	2 x 120 x 120	2 x 120 x 120	3 x 120 x 120	3 x 120 x 120
Brake size (mm)	420 x 180	420 x 180	420 x 180	420 x 180	420 x 180	420 x 180
Axle springs – no. of leaves / leaf size (mm)	3 / 100 x Parabolic 32t	3 / 100 x Parabolic 32t	3 / 100 x Parabolic 32t	3 / 100 x Parabolic 32t	3 / 100 x Parabolic 42t	3 / 100 x Parabolic 42t
Sprung drawbar	Std.	Std.	Std.	Std.	Std.	Std.
Fixed hitch	Std.	Std.	Std.	Std.	Std.	Std.
Standard wheels	385 / 65 R22.5	385 / 65 R22.5	385 / 65 R22.5	385 / 65 R22.5	385 / 65 R22.5	385 / 65 R22.5
Basic unladen weight (kg)	5,900	6,350	6,500	6,900	8,800	9,250

DIMENSIONS

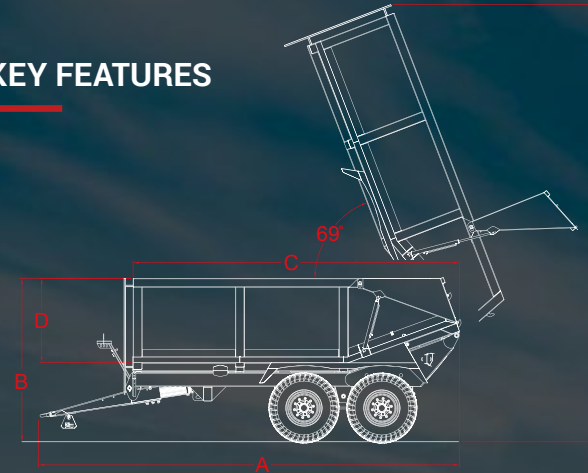
		mm		ft		mm		ft		mm		ft		mm		ft	
Monocoque length	A	6,200	20'4"	6,200	20'4"	7,000	23'0"	7,000	23'0"	8,400	27'7"	8,400	27'7"				
Monocoque height	B	1,700	5'7"	2,140	7'0"	1,700	5'7"	2,140	7'0"	1,700	5'7"	2,140	7'0"				
Overall length	C	7,850	25'9"	7,850	25'9"	8,650	28'5"	8,650	28'5"	10,050	33"	10,050	33"				
Overall height*	D	3,085	10'1"	3,525	11'7"	3,085	10'1"	3,525	11'7"	3,085	10'1"	3,525	11'7"				
Drawbar length	E	1,650	5'5"	1,650	5'5"	1,650	5'5"	1,650	5'5"	1,650	5'5"	1,650	5'5"				
Floor height*	F	1,385	4'7"	1,385	4'7"	1,385	4'7"	1,385	4'7"	1,385	4'7"	1,385	4'7"				
Drawbar / axle wheelbase	G	5,360	17'6"	5,360	17'6"	5,760	18'9"	5,760	18'9"	5,640	18'5"	5,640	18'5"				
Monocoque internal width		2,380	7'10"	2,380	7'10"	2,380	7'10"	2,380	7'10"	2,380	7'10"	2,380	7'10"				
Monocoque external width		2,550	8'4"	2,550	8'4"	2,550	8'4"	2,550	8'4"	2,550	8'4"	2,550	8'4"				

*Heights based on 560/60 R22.5 wheel equipment

DUMPER

Rodeo Dump Trailers

KEY FEATURES



- High quality and heavy-duty trailer.
- High rear tipping pivot point.
- 6mm floor and 4mm side thickness.
- LED lighting equipment for maximum visibility.
- Commercial running gear c/w 10 stud axles with 420 x 180 mm brakes for maximum braking efficiency.
- 32T parabolic spring set for stability, ride performance and minimal maintenance whilst providing the best of on and off-road handling characteristics.
- A sprung drawbar and tandem sprung axles come as standard to ensure a stable and comfortable ride.
- Hydraulic tailgate with locking valve.
- Shot blasted paint preparation, finished with two pack paint.



SPECIFICATIONS

	MODEL	
	DT 1400	DT 1600
Price	£21,300	£23,700
Design capacity (kg)	14,000	16,000
Volume – Cargo (m ³)	17.1	18.8
Axle track width (mm)	2,000	2,000
Axle beam (mm)	2 x 120 x 120	2 x 120 x 120
Brake size (mm)	420 x 180	420 x 180
Axle springs – no. of leaves / leaf size (mm)	3 / 100 x Parabolic 32t	3 / 100 x Parabolic 32t
Tipping cylinders x capacity (l)	145 x 5 / 26.3	165 x 5 / 34.8
Floor thickness (mm)	6	6
Side sheet thickness (mm)	4	4
Sprung drawbar	Std.	Std.
Fixed hitch	Std.	Std.
Standard wheels	385 / 65 R22.5	385 / 65 R22.5
Unladen weight (kg)	6,300	6,600

DIMENSIONS

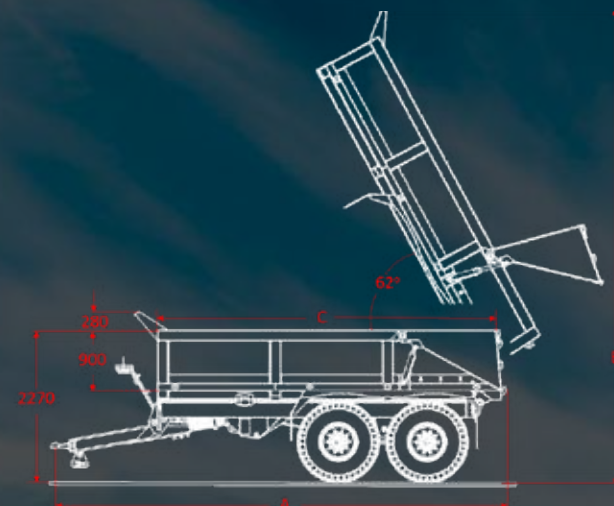
		mm		ft	
		mm	ft	mm	ft
Overall length	A	7,190	23'7"	7,755	25'5"
Overall height	B	2,818	9'3"	2,818	9'3"
Monocoque length	C	5,520	18'2"	6,200	20'4"
Monocoque height	D	1,450	4'9"	1,450	4'9"
Tipped height	E	7,500	24'7"	7,750	25'5"
Average internal width		2,300	7'6"	2,300	7'6"
Maximum external width		2,640	8'8"	2,640	8'8"

CONTRACTOR

Roadeo Contractor Dump Trailers



KEY FEATURES



- High quality and heavy-duty trailer.
- Square body design for increased capacity and ease of clearing out built up dirt.
- Mono tipping ram for quick and efficient tipping.
- LED road lighting and LED rear beacon equipment for maximum visibility.
- Mudguards and mudflaps included as standard to keep muck off the body and reduce road spray.
- Commercial 120mm running gear c/w 10 stud axles with 420 x 180 mm brakes for maximum braking efficiency.
- 32T parabolic spring set for stability, ride performance and minimal maintenance whilst providing the best of on and off-road handling characteristics.
- A leaf sprung drawbar and tandem parabolic sprung axles come as standard to ensure a stable and comfortable ride.
- Hydraulic tailgate as standard equipped with long reach arms and hydraulic locking valve.
- Shot blasted paint preparation, finished with two pack paint.

ROADEO CONTRACTOR Trailer

SPECIFICATIONS

	MODEL		
	CT 1400	CT 1800	CT 2000
Price	£18,800	£20,750	£22,800
Design capacity (kg)	14,000	18,000	20,000
Volume – Cargo (m ³)	10.5	10.5	14
Axle track width (mm)	2,000	2,000	2,000
Axle beam (mm)	2 x 120 x 120	2 x 120 x 120	2 x 120 x 120
Brake size (mm)	420 x 180	420 x 180	420 x 180
Axle springs – no. of leaves / leaf size (mm)	3 / 100 x Parabolic 32t	3 / 100 x Parabolic 32t	3 / 100 x Parabolic 32t
Tipping cylinders x capacity (l)	145 x 5 / 26.3	165 x 5 / 34.8	187 x 6 / 51.2
Floor thickness (mm)	8	8	10
Side sheet thickness (mm)	6	6	8
Sprung drawbar	Std.	Std.	Std.
Fixed hitch	Std.	Std.	Std.
Standard wheels	385 / 65 R22.5	385 / 65 R22.5	385 / 65 R22.5
Unladen weight (kg)	5,800	5,800	6,600

DIMENSIONS

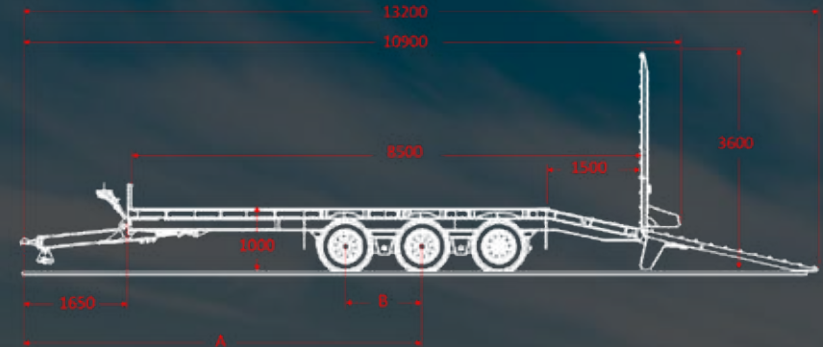
		mm		ft		mm		ft	
Overall length	A	6,720	22'0"	6,720	22'0"	7,120	23'4"		
Overall height	B	2,268	7'5"	2,268	7'5"	2,268	7'5"		
Monocoque length	C	5,000	16'5"	5,000	16'5"	5,400	17'9"		
Monocoque height		900	2'11"	900	2'11"	900	2'11"		
Tipped height		6,280	20'7"	6,280	20'7"	6,650	21'10"		
Average internal width		2,300	7'6"	2,300	7'6"	2,300	7'6"		
Maximum external width		2,640	8'8"	2,640	8'8"	2,640	8'8"		

LOW LOADER

Rodeo Low Loader



KEY FEATURES



- Hard wood floor as standard.
- Hydraulic folding rear ramps.
- LED lighting and LED rear beacon equipment for maximum visibility.
- Commercial 120 mm running gear c/w 10 stud axles with 420 x 180 mm brakes for maximum braking efficiency.
- Low ride height to maximise stability and reduce ramp angle for ease of loading.
- Standard leaf sprung drawbar to reduce shock loading and provide better operator comfort.
- Standard strap / tool box included for stowage of chains etc.
- Shot blasted paint preparation, finished with two pack paint.

ROADEO LOW LOADER Trailer

SPECIFICATIONS

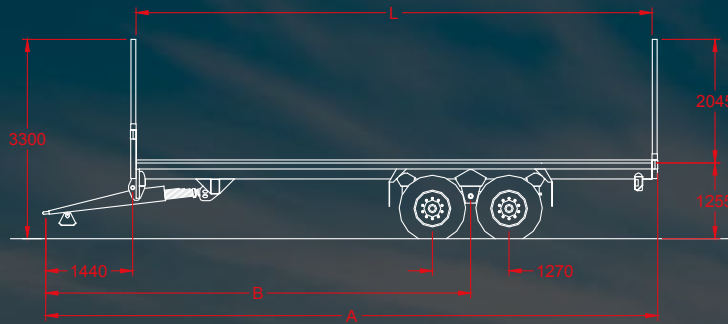
	MODEL	
	LL 26	LL 26 TRI AXLE
Price	£17,400	£20,300
Design capacity (kg)	18,000	22,000
Axle track width (mm)	2,000	2,000
Axle beam (mm)	2 x 120 x 120	3 x 120 x 120
Brake size (mm)	420 x 180	420 x 180
Axle springs – no. of leaves / leaf size (mm)	6 x 100 x 21t	6 x 100 x 21t
Floor material	Keruing	Keruing
Floor thickness (mm)	38	38
Floor bearer size (mm)	100 x 50 x 8.5	100 x 50 x 8.5
Floor bearer spacing (mm)	290	290
Chassis size (mm)	203 x 203 x 30	203 x 203 x 30
Standard wheels	445 / 45 R19.5	445 / 45 R19.5
Sprung drawbar	Std.	Std.
Fixed hitch	Std.	Std.
Unladen weight (kg)	5,650	6,000

DIMENSIONS

		mm	ft	mm	ft
Drawbar / Axle wheelbase	A	6,800	22'3"	6,650	21'10"
Axle wheelbase	B	1,350	4'5"	1,270	4'2"
Bed width		2,550	8'4"	2,550	8'4"

FLATBED

Rodeo Flatbed



KEY FEATURES

- High quality and heavy-duty flatbed trailer.
- LED lighting equipment for maximum visibility.
- Commercial running gear c/w 10 stud axles with 420 x 180 mm brakes for maximum braking efficiency.
- 32T parabolic spring set for stability, ride performance and minimal maintenance whilst providing the best of on and off-road handling characteristics.
- Low ride height to maximise the height of load which the trailer can carry.
- Checker plate floor.
- Shot blasted paint preparation, finished with two pack paint.



ROADEO FLATBED Trailer

SPECIFICATIONS

	MODEL					
	FB 26	FB 28	FB 30	FB 32	FB 40	FB 44
Price	£13,500	£14,200	£14,500	£15,100	£POA	£POA
Design capacity (kg)	14,000	14,000	16,000	16,000	17,000	18,000
Axle track width (mm)	2,000	2,000	2,000	2,000	2,000	2,000
Axle beam (mm)	2 x 120 x 120	2 x 120 x 120	2 x 120 x 120	2 x 120 x 120	3 x 120 x 120	3 x 120 x 120
Brake size (mm)	420 x 180	420 x 180	420 x 180	420 x 180	420 x 180	420 x 180
Axle springs – no. of leaves / leaf size (mm)	3 / 100 x Parabolic 32t	3 / 100 x Parabolic 32t	3 / 100 x Parabolic 32t	3 / 100 x Parabolic 32t	3 / 100 x Parabolic 42t	3 / 100 x Parabolic 42t
Floor material	Checker plate	Checker plate	Checker plate	Checker plate	Checker plate	Checker plate
Floor thickness (mm)	3	3	3	3	3	3
Floor bearer size (mm)	60 x 40 x 4	60 x 40 x 4	60 x 40 x 4	60 x 40 x 4	60 x 40 x 4	60 x 40 x 4
Floor bearer spacing (mm)	400	400	400	400	400	400
Chassis size (mm)	203 x 133 x 30 column	203 x 133 x 30 column	203 x 203 x 46 column	203 x 203 x 46 column	203 x 203 x 46 column	203 x 203 x 46 column
Standard wheels	385 / 65 R22.5	385 / 65 R22.5	385 / 65 R22.5	385 / 65 R22.5	385 / 65 R22.5	385 / 65 R22.5
Sprung drawbar	Std.	Std.	Std.	Std.	Std.	Std.
Fixed hitch	Std.	Std.	Std.	Std.	Std.	Std.
Harvest ladders	Std.	Std.	Std.	Std.	Std.	Std.
Unladen weight (kg)	4,045	4,125	4,340	4,555	6,100	6,200

DIMENSIONS

		mm		ft		mm		ft		mm		ft		mm		ft	
Overall length	A	9,575	31'5"	10,175	33'4"	10,775	35'4"	11,375	37'4"	14,234	46'7"	15,440	50'7"				
Axle wheelbase	B	5,350	17'6"	5,550	18'2"	5,750	18'10"	5,950	19'6"	7,400	24'3"	8,000	26'3"				
Bed length	L	7,950	26'	8,550	28'	9,150	30'	9,750	32'	12,192	40'	13,411	44'				
Bed width		2,550	8'4"	2,550	8'4"	2,550	8'4"	2,550	8'4"	2,550	8'4"	2,550	8'4"				

OPTIONAL EXTRAS

	Price	MODEL						
		CURVE	ROOT	COMPACT & PUSH	DUMPER	CONTRACTOR	LOW LOADER	FLATBED
Air / hydraulic brakes c/w air load sensing	£1,550	✓	✓	✓	✓	✓	✓	✓
Air only spring brakes in lieu of hydraulic c/w load sensing	£1,350	✓	✓	✓	✓	✓	✓	✓
A.B.S.	£1,300	✓	✓	✓	✓	✓	✓	✓
Hydraulic brake load sensing valve	£780	✓	✓	✓	✓	✓	✓	✓
Hydraulic transcover system	£4,350	✓	✓	✓	✓	✓		
Swivel hitch / K80 hitch	£360 / £550	✓	✓	✓	✓	✓	✓	✓
Front viewing platform	£650	✓	✓					
Steering axle, active	£6,800	✓	✓	✓	✓	✓	✓	
Steering rear axle, passive	£3,600	✓	✓	✓	✓	✓	✓	
Strap box	£250	✓	✓	✓	✓	✓	✓	✓
Work lights (pair)	£270	✓	✓	✓	✓	✓	✓	✓
Hydraulic jack	£450	✓	✓	✓	✓	✓	✓	✓
Manual pump for jack	£360	✓	✓	✓	✓	✓	✓	✓
Under run bars (side)	£450	✓	✓	✓	✓	✓	✓	✓
Rear towing eye	£90	✓	✓	✓	✓	✓		✓
Air suspension - Twin / Tri	£2,200 / £3,300	✓	✓	✓	✓	✓	✓	✓
Bale wedge	£800						✓	
Hi Vis Tape	£150	✓	✓	✓	✓	✓	✓	✓
K80 rear towing kit	£1,750	✓	✓	✓	✓	✓		
Weigh cells	£9,300			✓				

	Price	MODEL						
		CURVE	ROOT	COMPACT & PUSH	DUMPER	CONTRACTOR	LOW LOADER	FLATBED
Silage sides Roadeo 1200/1400C	£2,300	✓						
Silage sides Roadeo 1400/1600/1800	£2,550	✓	✓					
Silage sides Roadeo 2000	£2,750	✓	✓					
Side blower board	£90	✓	✓					
Rear blower board	£70	✓	✓					
Silage extensions	£1,230			✓				
Hydraulic fold down front silage extension	£700			✓				
Manual grain roll over sheet	£2,200	✓	✓					
Hydraulic grain roll over sheet	£3,400	✓	✓	✓				
Silage side lift off frame	£550	✓	✓					
Grain chute	£250	✓	✓	✓				
Rear hitch c/w 7 pin socket and brake connection - Fixed / Swing	£520 / £820	✓	✓	✓	✓	✓		✓
Fixed drawbar	-£900							✓
Reverse light c/w tipping switch	£460	✓	✓	✓				
Long front mud flaps	£160	✓	✓	✓	✓	✓		✓
Grain sock	£270	✓	✓	✓				
Hydraulic weigh system	£1,360	✓	✓		✓	✓		
Swing up trailer stand	£300	✓	✓	✓	✓	✓	✓	✓
Box pusher	£1,300							✓

OPTIONAL EXTRAS Trailers

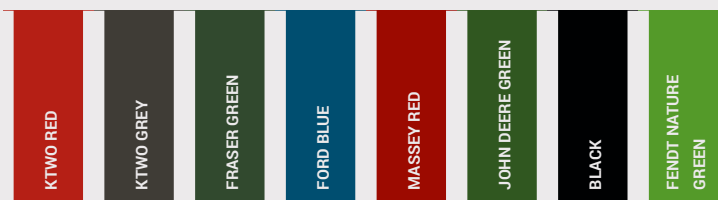
TYRE Prices per wheel (£)

	LOAD RATING	Price (per wheel)	MODEL						
			CURVE	ROOT	COMPACT & PUSH	DUMPER	CONTRACTOR	LOW LOADER	FLATBED
710/50 R26.5 - Alliance 882	172D	£1,580			✓				
650/55 R26.5 - Mitas AGRI	174D	£1,550	✓	✓	✓				
650/55 R26.5 - BKT 693M	178D	£1,800	✓	✓	✓				
650/55 R26.5 - Michelin TrialXbib	174D	£1,800	✓	✓	✓				
650/55 R26.5 - Mitas Agitera	169D	£1,330	✓	✓	✓	✓	✓		
650/55 R22.5 - Alliance 885	168D	£1,530	✓	✓	✓	✓	✓		
560/60 R22.5 - Michelin TrialXbib VF*	166DS	£1,010	✓	✓	✓	✓	✓		
560/60 R22.5 - Alliance 590	169D	£1,250	✓	✓	✓	✓	✓		
560/60 R22.5 - BKT FL 693M*	165D	£850	✓	✓	✓	✓	✓		
560/60 R22.5 - Alliance 882*	165D	£810	✓	✓	✓	✓	✓		
560/60 R22.5 - Mitas AGRI*	165D	£800	✓	✓	✓	✓	✓		
560/45 R22.5 - Alliance 882	152D	£810	✓	✓		✓	✓		✓
560/45 R22.5 - Mitas AGRI	152D	£750	✓	✓		✓	✓		✓
445/65 R22.5 - Golden Crown AT557	169K	£510	✓	✓	✓	✓	✓		✓
445/45 R19.5 - Golden Crown AT556	160J	£430	✓	✓	✓	✓	✓		✓

*Not for high speed over 18 tonnes unless on a Tri-Axle.

Ktwo hold the right to change the tyre manufacturer to a like for like spec or higher.

COLOUR OPTIONS*

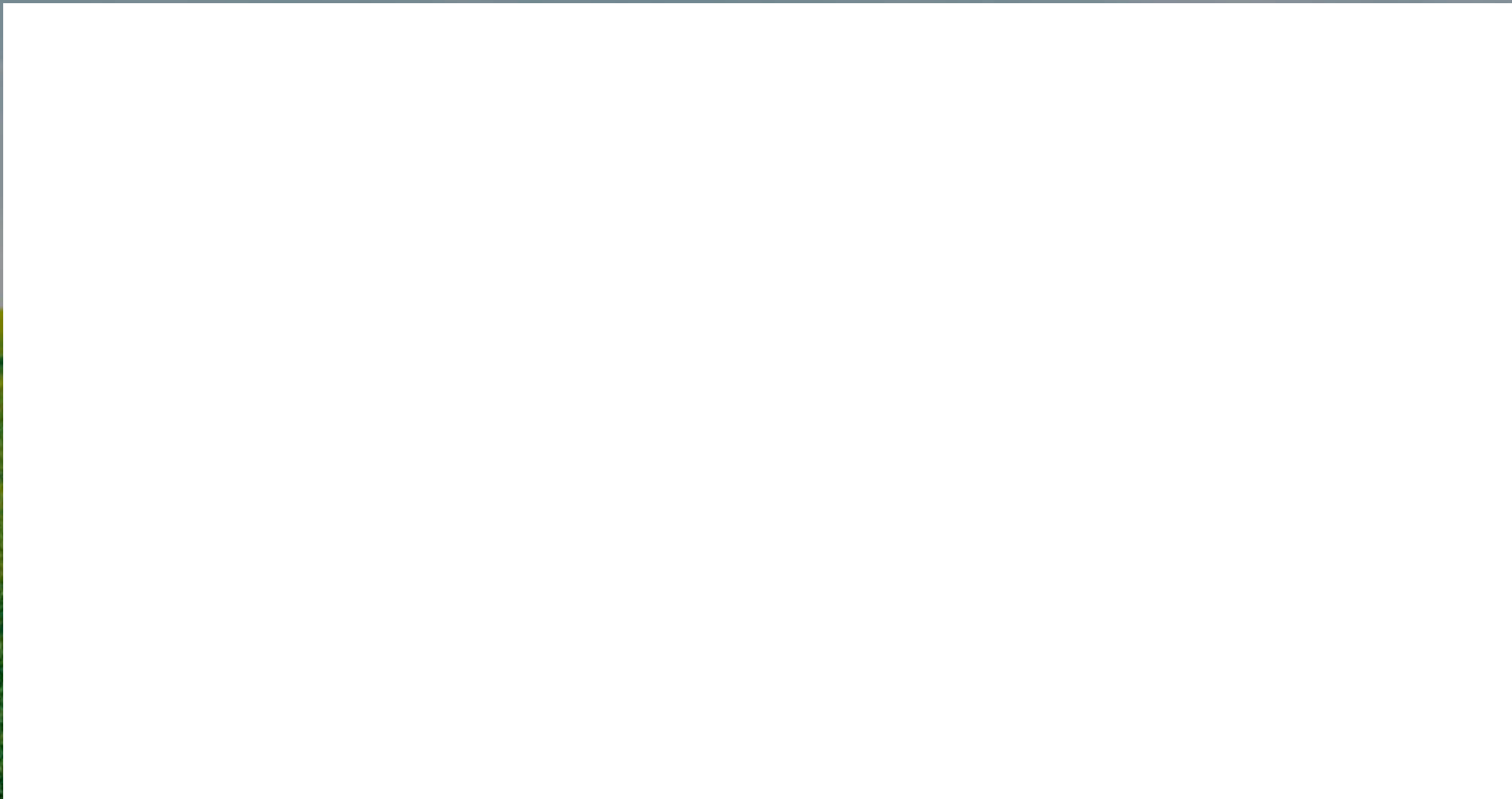


Above Tractor colours FOC. Bespoke colours £400.

*Colour swatch is for illustrative purposes only and actual colour may differ slightly.



NOTES





Fowlers Field Farm, Station Road,
Haddenham, Aylesbury,
Buckinghamshire HP17 8DD

+44 (0)1844 299290
sales@ktwo.co.uk
www.ktwo.co.uk

FOLLOW US

