



**Who We Are**

Based in a pocket of arable farming in Co.Down Northern Ireland SpreadPoint is brought to you by seasoned engineers based on a 400ha farm with modern engineering facilities.

At SpreadPoint we apply traditional values to modern engineering solutions. The fact that we are farmers and realise that soil is the largest and most important asset on any farm lets us realise precision and performance is required from our spreaders. To produce the best possible output from your land and we endeavor to ensure you benefit from many years of this performance.

With our tailored spreaders we invite you to explore our solutions relative to your business [www.spreadpoint.co.uk](http://www.spreadpoint.co.uk)

*'Reliable, accurate and affordable spreaders suitable for both professional farmers and contractors'*



**Latest Design Techniques**

At SpreadPoint our trained Engineers use the most up to date design techniques allowing the specification of each machine to be optimized. Computer modeling can ensure the structure is rigid, the design is valid and the performance is maximized. SpreadPoints design ethos is performance via simplicity meaning our equipment is easily operated and maintained.

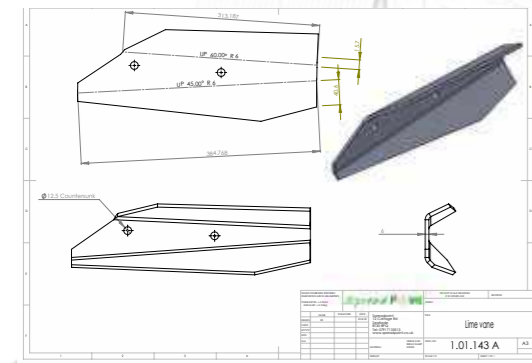


**Prototype Testing**

How best to test a new design that to use it. Each model from SpreadPoint goes through the most rigorous tests both on PointView Farm and with specialist contractors. By appraising each design we can ensure that the final product is free from issues and can offer the end user accuracy combined with reliability.

**Product Support**

With manufacturing all in house we are best positioned to supply spare parts, technical know-how and customer advice. The fact that our engineers collaborate directly with the customer means the best possible solution for the SpreadPoint product and the end user.



SpreadPoint reserves the right to vary their specification at any time in accordance with their policy of constant product improvement. Whilst every effort is made to ensure the accuracy of the particulars contained in this document, neither the manufacturers nor the distributor or dealer shall in any circumstances be held liable for any inaccuracy

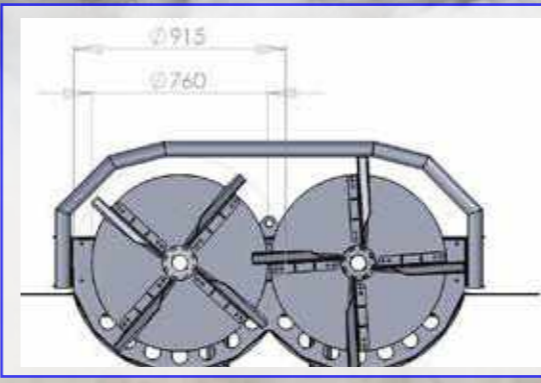
The SpreadPoint SP range of lime spreaders are the most robust and physically capable purpose built lime spreaders on the market. Using the safety and precision of hydraulic disc control these spreaders ensure the accurate spread of lime or alike bulk materials. Combine this with the largest most robust hard wearing discs on the market an these truly are spreaders designed with contractors and professional farmers in mind. The unique bearing-less and bolt-less system of floor idler rollers means strong, reliable and easily maintained operation. The large diameter and close center idler rollers ensure the belt will always start even after traveling long distance with full loads. With three sizes in the range and varying specification there is sure to be a spreader suitable to your needs.

**Features**

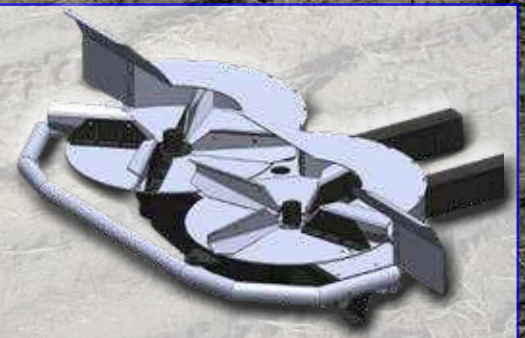
- LED Lighting with work lights\*1
- Shot blasted 2K paint finish
- 9 grease nipples per spreader\*2
- Low center of gravity due to 3 degrees belt angle
- Large high load rating radial tyres
- Low maintenance hydraulic disc drive
- Stainless steel wear points for rust free durability
- Eliminating PTO shafts for safety and maintenance reasons
- Unique large diameter stainless steel and nylon floor rollers
- Larger roller bearings with simple tension system
- Monocoque chassis giving improved strength to weight ratio over hollow sections
- Sprung drawbar system (not available on SP400)



\*[1] SP600 and SP900 onLy \*[2] based on standard SP600



**HYDRAULIC DISC UNIT**  
 The largest most robust discs on the market!  
 Each spinning 6mm stainless steel disc is mounted on a synchronized gearbox and driven using one hydraulic motor. This allows larger diameter overlapping discs unlike our competitors. Allowing up to 12m working widths in lime.



**Specifications**

	Capacity m3	Lime Capacity (Level) kg [1]	Unladen Weight kg	Body Length mm	Body Width mm	Body Height mm	Loading Height mm [2]	Axle	Brakes	Sprung Drawbar	Mud-guards	Tyre Size	Rear Door	Belt Drive	Rate Control
SP400	4.00	5600	2600	3160	1850	800	1970	10stud 90sq	Hydraulic	N/A	N/A	560/60R22.5	Manual	Land drive	Rear Door Scale
SP600	6.00	8400	3000	3160	2015	1100	2350	10stud 120sq Commercial	Air and Hydraulic	Standard	Standard	710/50R26.5	Hydraulic	Hydraulic	SensPoint Intelligent Control
SP900	9.00	12600	3800	3700	2200	1250	2500	10stud 150sq Commercial	Air and Hydraulic	Standard	Standard	750/60R30.5	Hydraulic	Hydraulic	WeighPoint Intelligent Control

\*[1] based on Lime density 1400kg/m3 \*[2] based on standard tyre equipment

**SPREADER CONTROL SYSTEMS**

**1. LAND DRIVE BELT CONTROL**

The most basic control system is fitted only to the SP400. This 2 speed gearbox connects the tyre speed directly to the belt speed keeping the target rate constant irrelevant to forward speed. Application rate is set via rear door height.

**2. SENSPOINT INTELLIGENT SPREADER CONTROL (RIGHT TOP)**

Using direct hydraulic belt control this computer system monitors forward speed via GPS and matches the belt speed accordingly to achieve the set target rate. Target rates can be set from the screen. Disc speed can also be controlled from the screen.

**2. SENSPOINT ISOBUS (RIGHT)**

Similar to point 2 but compatible with all certified ISOBus UT terminals. The spreader is supplied with a 9pin ISOBus connector. GPS speed is supplied from the UT. VRT ready depending upon UT.



**Options**

- Rollover Cover
- Cleated belt
- Mesh Grids inside hopper

**ISOBus Connectivity**

- K80 spoon
- Wheel options subject to condition

